

BE A PHYSICIST DAY: ELECTRIC CIRCUITS

Prof. Stephen Sekula

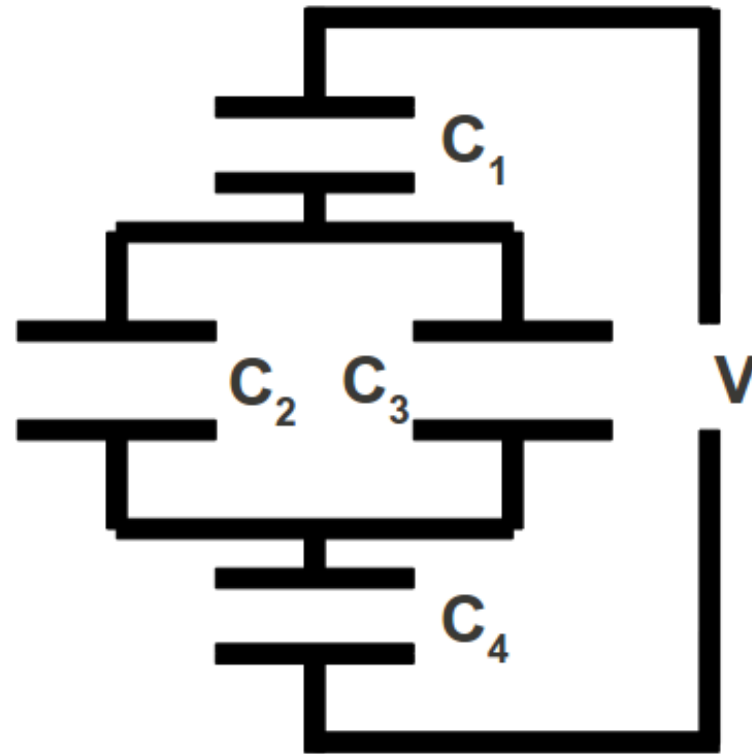
10/1/2010

Supplementary Material for
PHY1308 (General Physics -
Electricity and Magnetism)

ANNOUNCEMENTS

- Homework 6:
 - Due next Monday by 5pm (FS102 mailbox)
- Extra Credit for Exam 2
 - Physics Research Fair Today!
 - FS127, from 2:30-5:00 pm
 - Food and undergraduate research and a movie!
 - Pick a poster, talk to the presenter, write a 1-2 page paper (see guidelines on web) answering:
 - how does this research connect to electricity, magnetism, light, or optics?

QUIZ PROBLEM



In the above, $C_1 = 0.050\mu\text{F}$, $C_2 = 0.010\mu\text{F}$, $C_3 = 0.040\mu\text{F}$, $C_4 = 0.050\mu\text{F}$, and $V = 100.0\text{V}$.

- Determine the charge on each capacitor
- Determine the voltage across each capacitor