

IMAGES FROM LENSES

Prof. Stephen Sekula

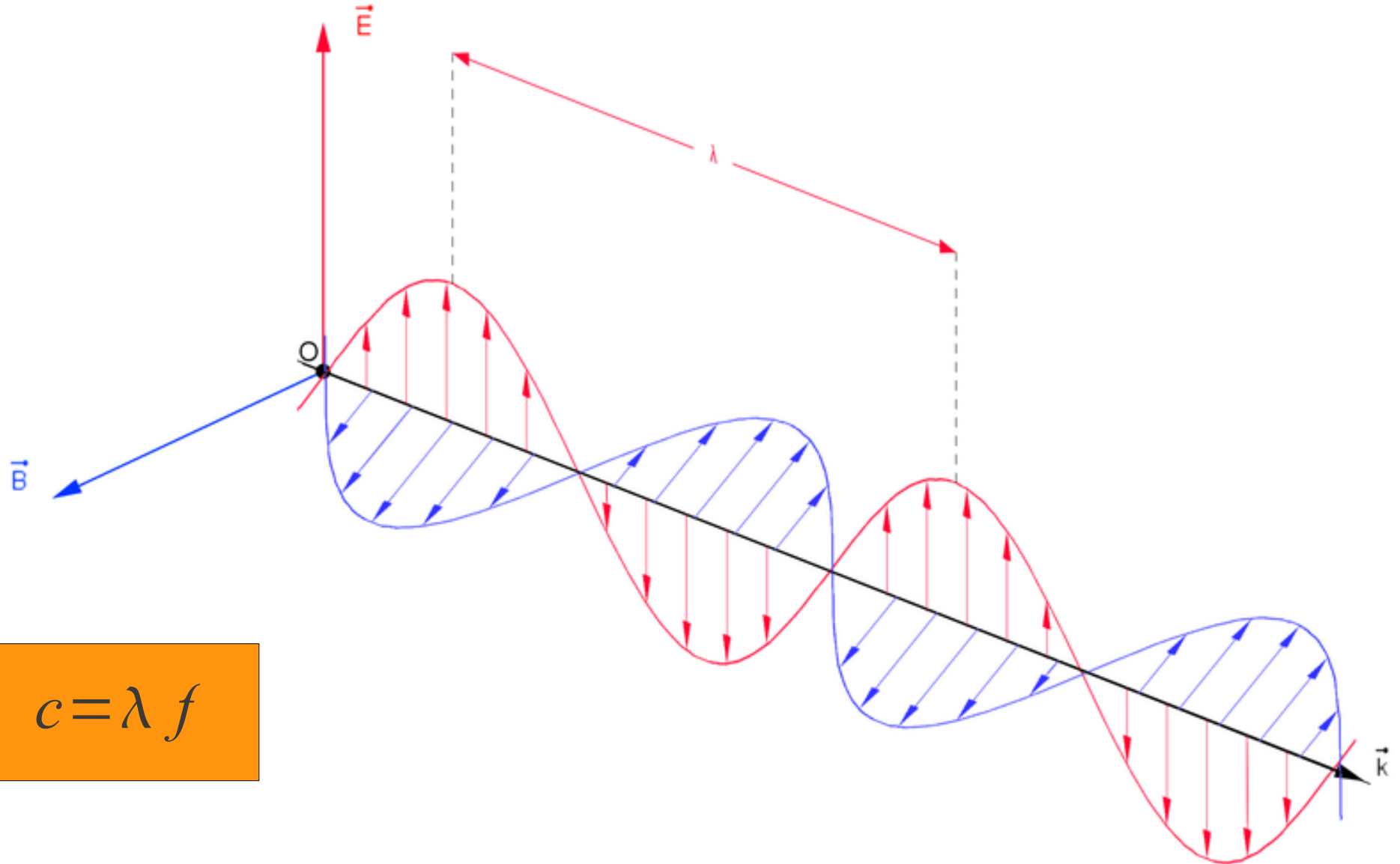
11/29/2010

Supplementary Material for
PHY1308 (General Physics -
Electricity and Magnetism)

ANNOUNCEMENTS

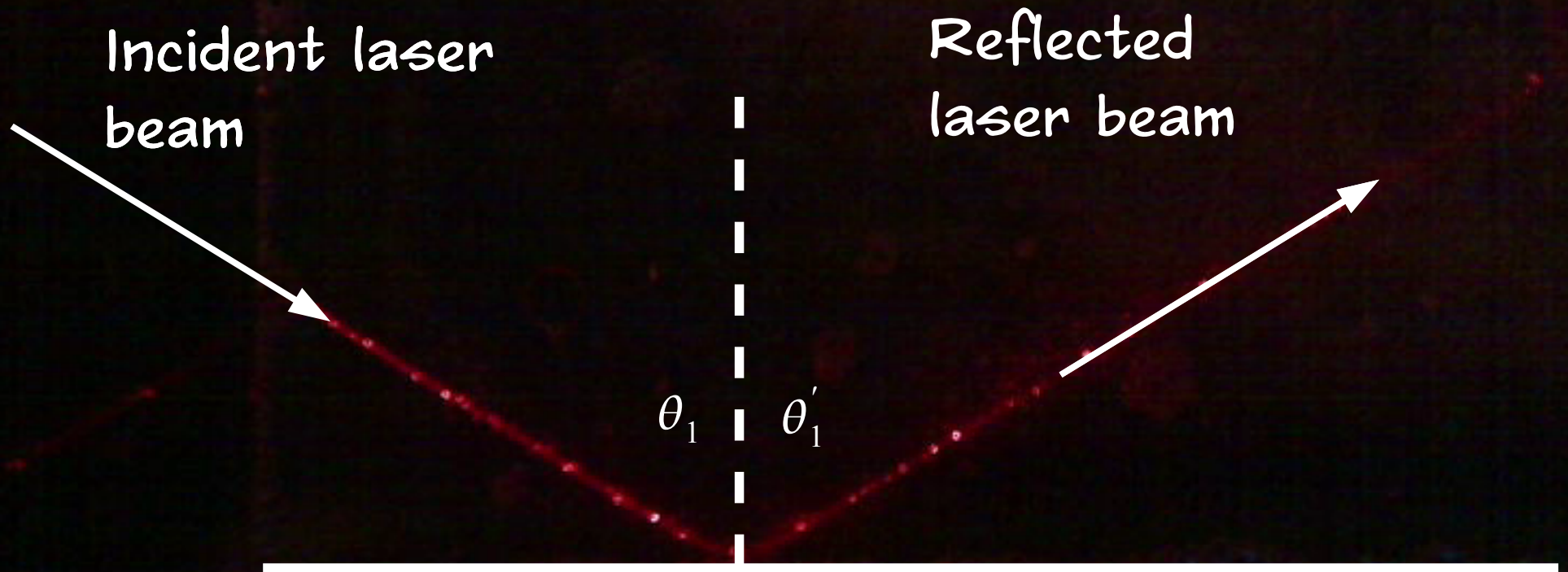
- Homework 13:
 - Due Tuesday, Nov. 30 by 5pm
- Quiz
 - in-class, Friday (last one!)
 - covers material from homeworks 12 and 13

LIGHT IS AN ELECTROMAGNETIC WAVE

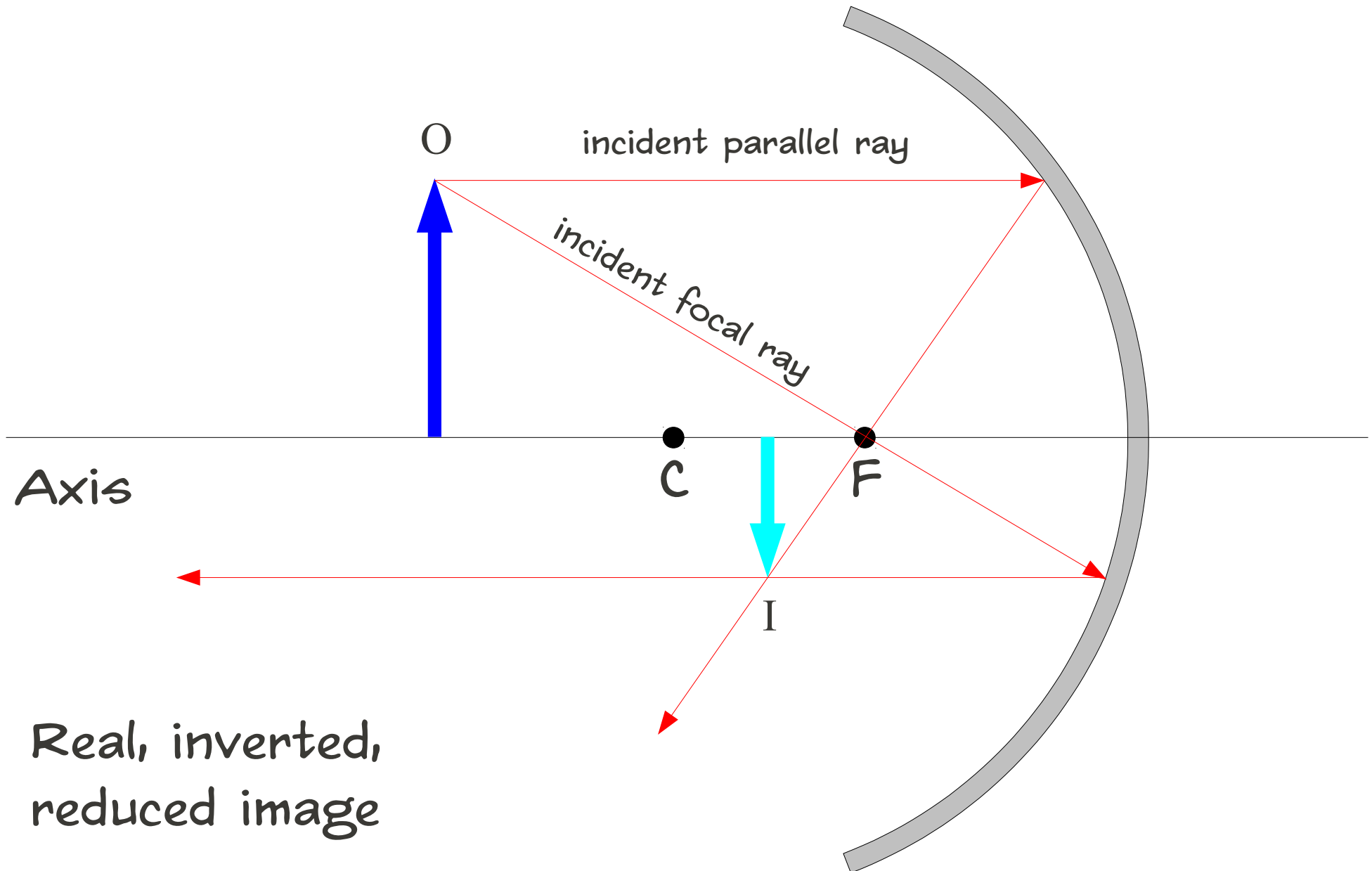


$$c = \lambda f$$

TREATED AS "RAY" IN OPTICS

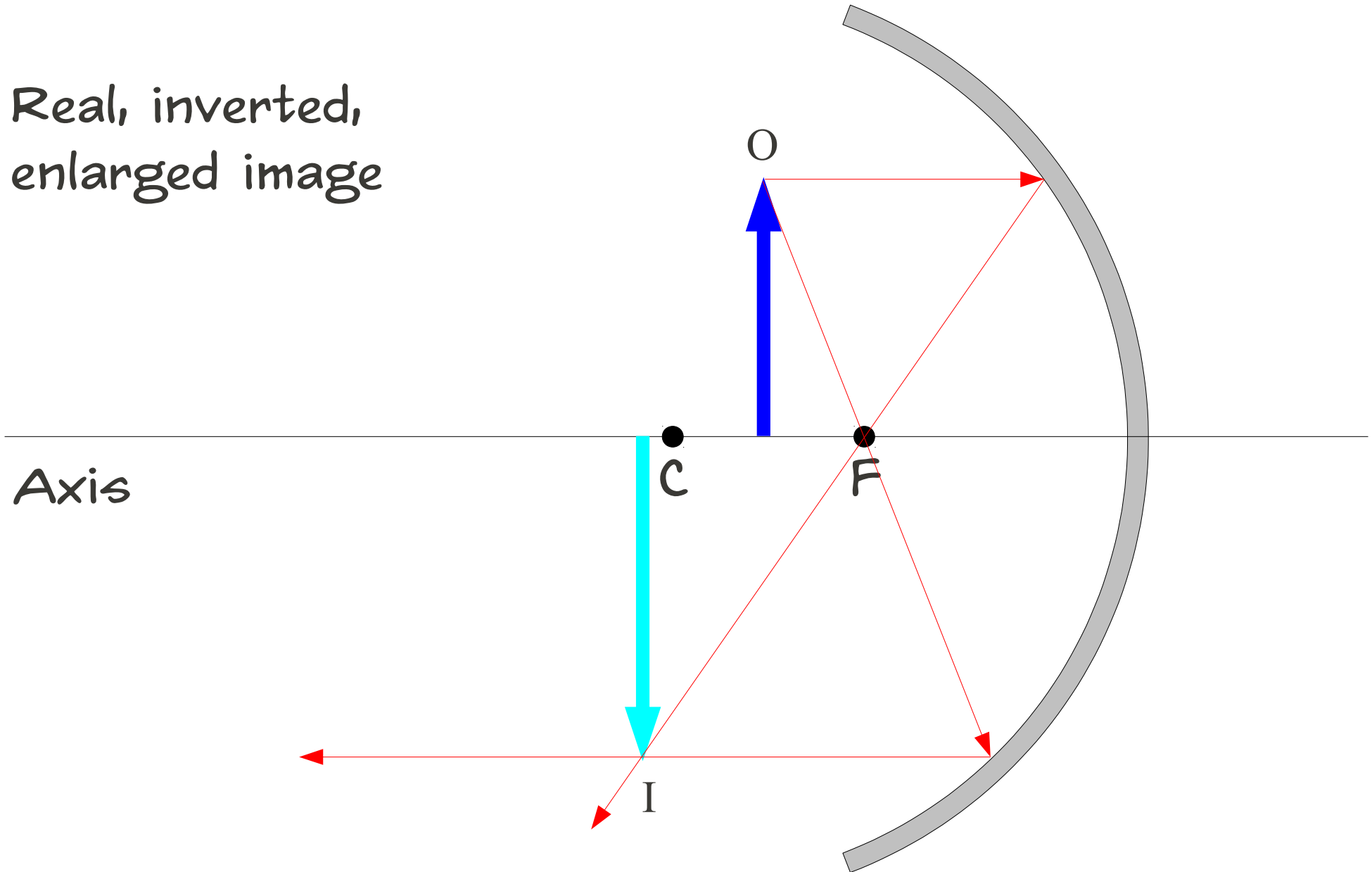


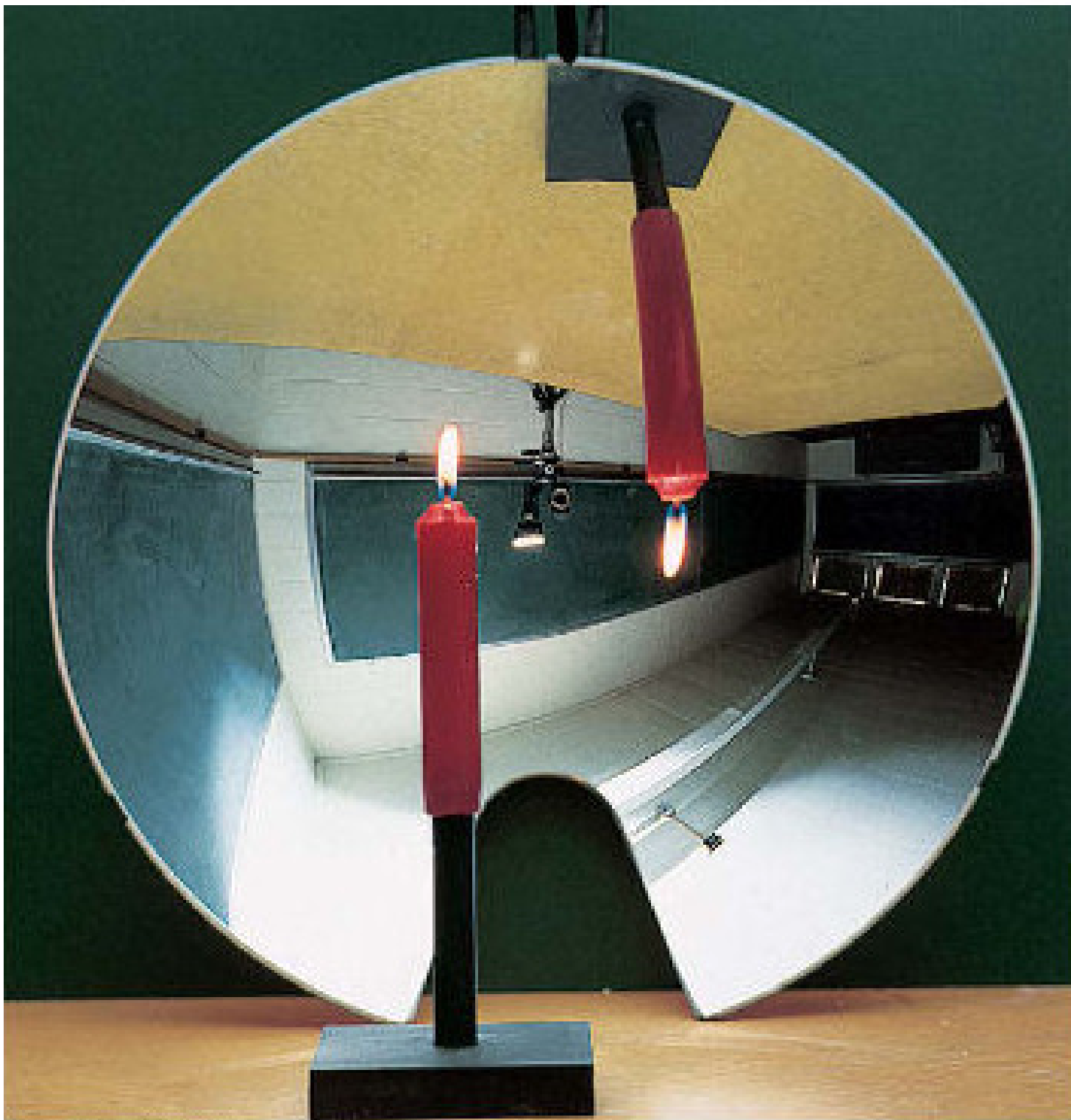
CONCAVE MIRROR



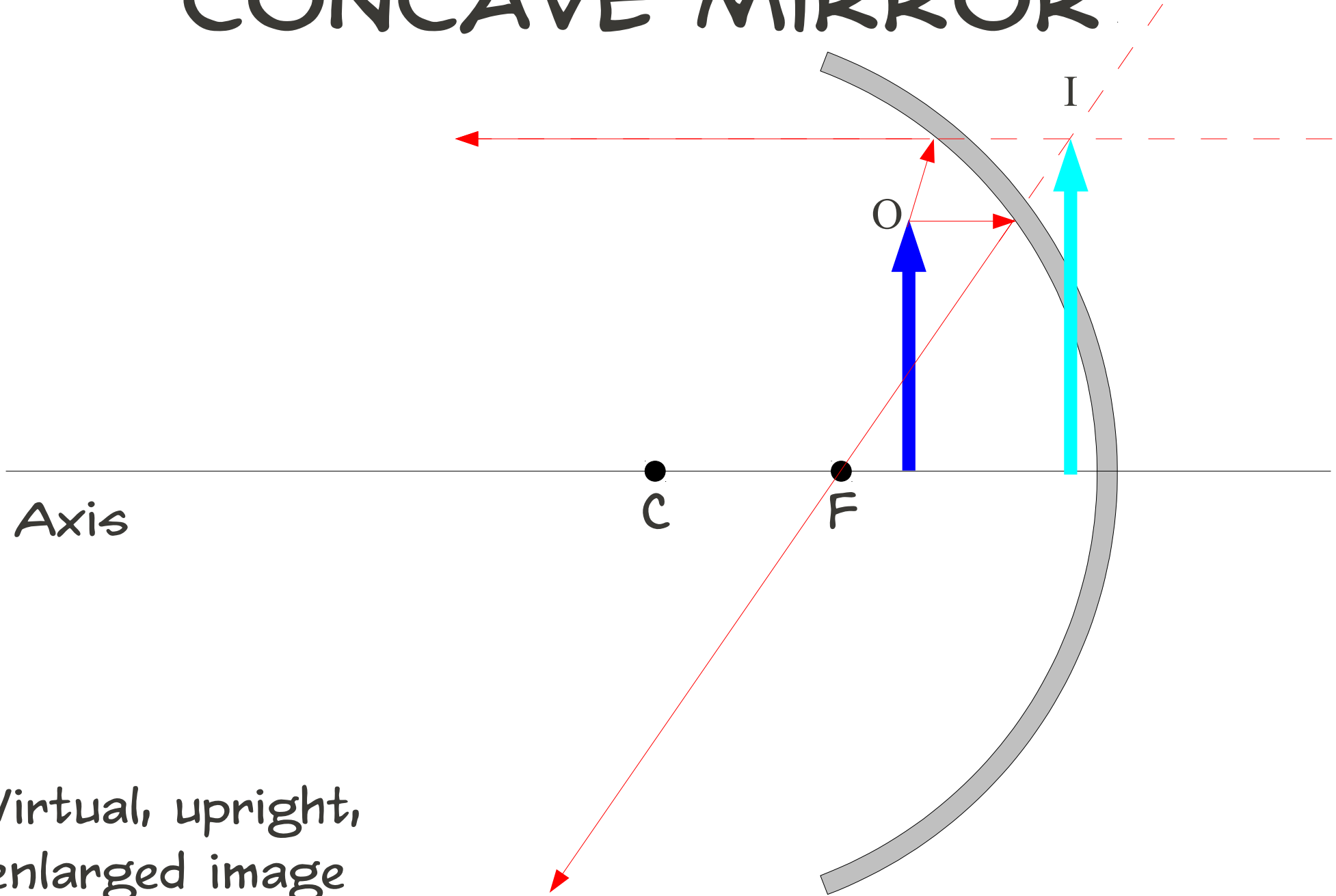
CONCAVE MIRROR

Real, inverted,
enlarged image



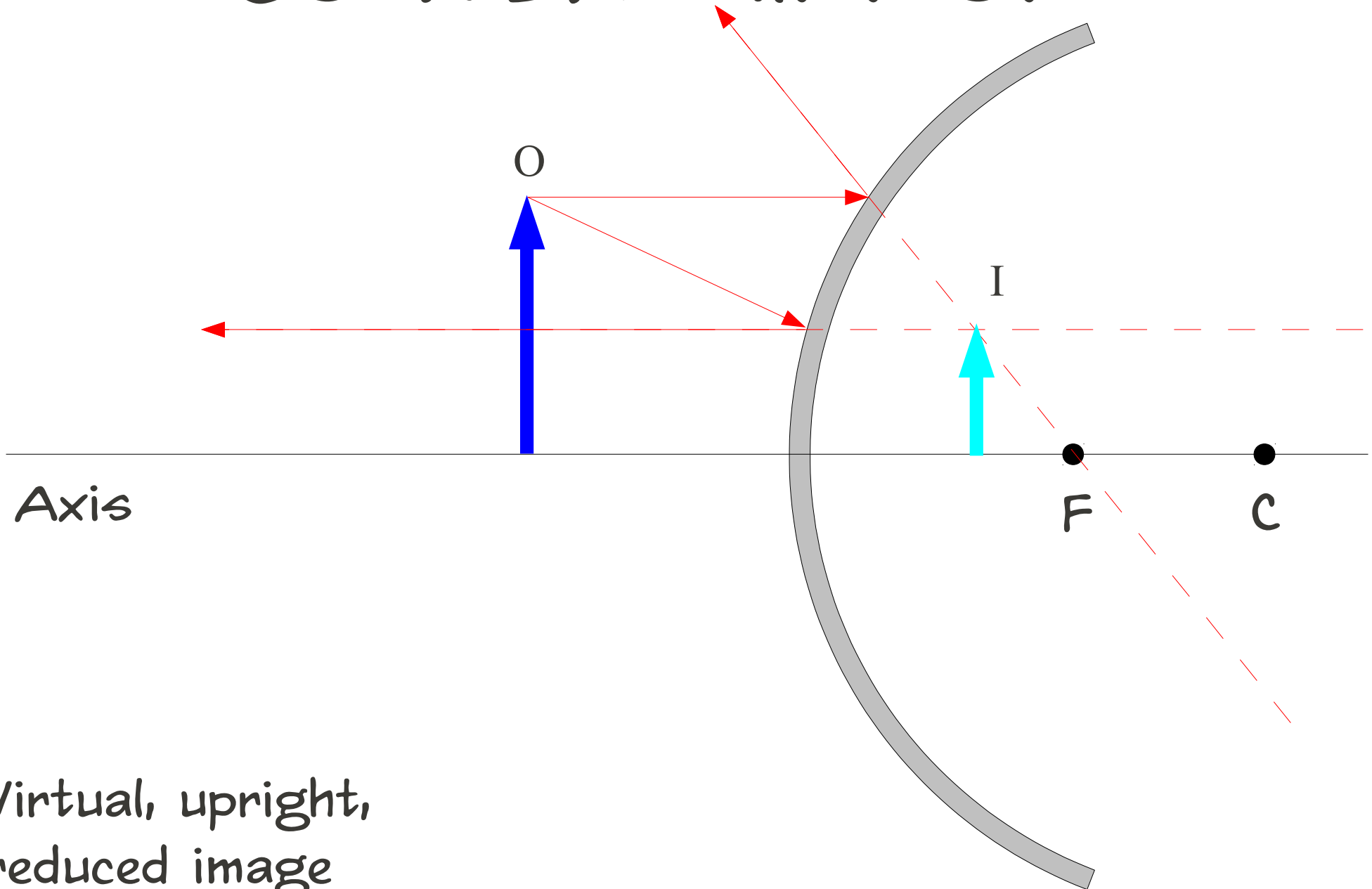


CONCAVE MIRROR

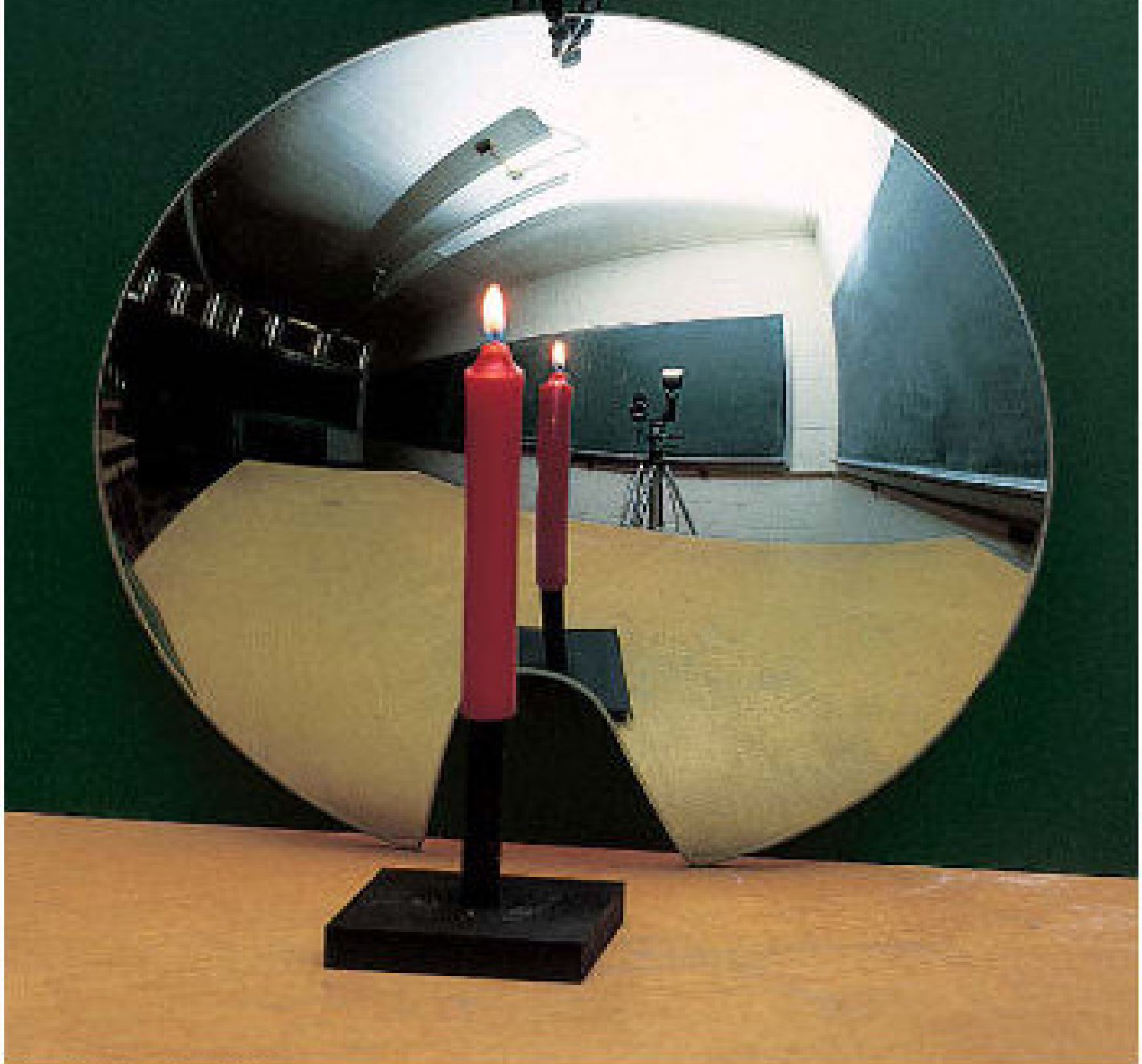


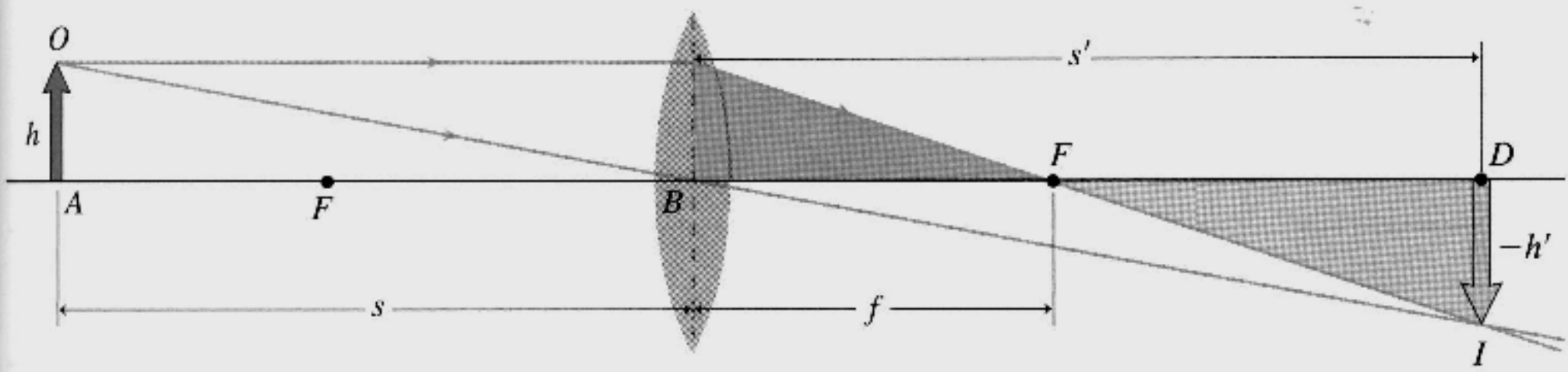


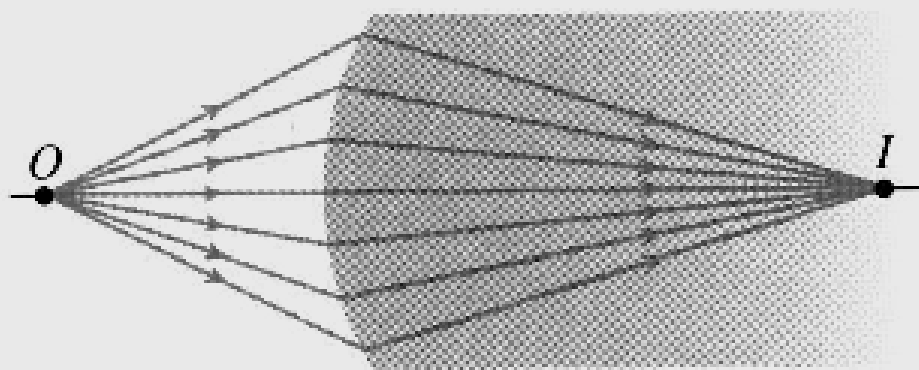
CONVEX MIRROR



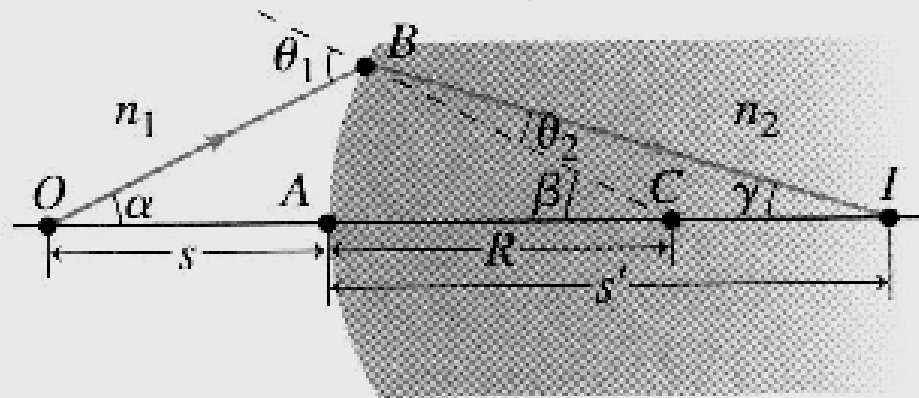
Virtual, upright,
reduced image







(a)



(b)

